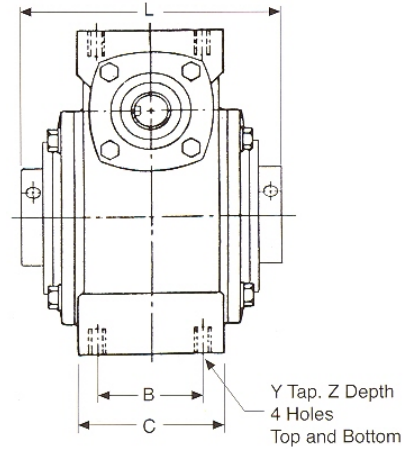
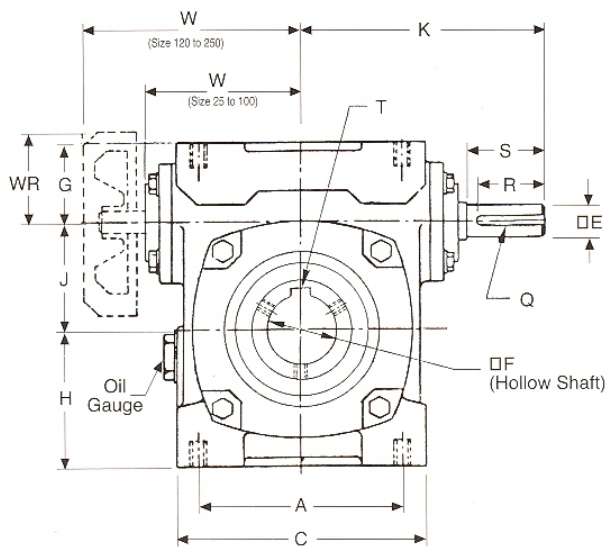
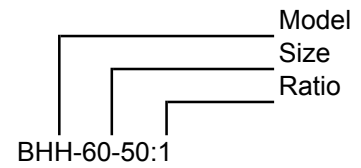
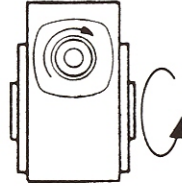
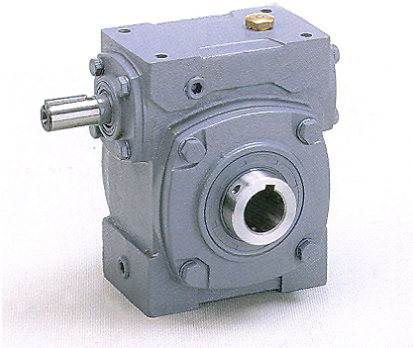


Shaft Mounting BHH Model Reducer Dimensions

HOW TO ORDER



DIMENSIONS IN INCHES

Size	A	B	C	D	G	H	J	K	L	W	WR	Y	Z	High Speed Shaft				Low Speed Shaft	
														E	S	R	Q	F	T
34	2.76	1.93	3.43	2.44	1.22	1.65	1.33	3.46	3.35	2.16		1/4-20	7/16	1/2	1.10	.98	1/8x1/16	3/4	3/16x3/32
40	3.15	2.13	3.90	2.68	1.34	2.09	1.57	3.78	3.35	2.36		5/16-18	5/8	1/2	1.10	.98	1/8x1/16	3/4	3/16x3/32
45	4.19	2.75	4.82	3.35	1.94	2.06	1.75	4.47	4.29	2.91		5/16-18	5/8	5/8	1.18	.98	3/16x3/32	1	1/4x1/8
50	3.54	1.97	4.49	2.68	1.38	2.56	1.97	4.13	3.74	2.72		5/16-18	5/8	5/8	1.18	.98	3/16x3/32	1	1/4x1/8
60	3.94	2.13	4.96	3.11	1.65	2.95	2.36	4.72	4.33	3.03		3/8-16	3/4	3/4	1.58	1.38	3/16x3/32	1	1/4x1/8
70	4.92	2.60	5.98	3.46	1.97	3.35	2.76	5.51	5.12	3.70		3/8-16	3/4	7/8	1.58	1.38	3/16x3/32	1-3/16	1/4x1/8
80	5.71	2.95	6.69	3.98	2.36	3.62	3.15	6.30	5.51	4.13		3/8-16	3/4	1-1/8	1.97	1.77	1/4x1/8	1-1/2	5/16x5/32
100	7.28	3.35	8.82	4.49	2.95	4.53	3.94	7.48	6.69	5.28		1/2-13	15/16	1-3/8	1.97	1.77	5/16x5/32	2	3/8x3/16
120	8.86	3.94	10.24	5.31	3.15	5.51	4.72	9.06	7.48	8.90	3.80	1/2-13	15/16	1-1/2	2.56	2.36	3/8x3/16	2-3/8	5/8x5/16
135	10.24	3.94	11.81	5.51	3.35	6.50	5.31	10.24	8.27	9.80	3.80	5/8-11	1-1/8	1-5/8	2.95	2.76	3/8x3/16	2-3/4	5/8x5/16
155	11.81	4.33	13.78	6.10	4.06	7.99	6.10	11.81	9.92	11.50	4.70	5/8-11	1-1/8	1-5/8	3.35	3.15	3/8x3/16	3-1/4	3/4x3/8
175	13.00	4.33	15.35	6.22	4.84	8.78	6.89	12.80	10.31	12.30	4.70	3/4-10	1-3/8	1-7/8	3.35	3.15	1/2x1/4	3-1/2	7/8x7/16
200	14.17	5.91	16.54	7.87	5.12	9.65	7.87	13.78	12.01	13.50	5.50	3/4-10	1-3/8	2	3.74	3.54	1/2x1/4	4-1/8	1x1/2
225	15.75	6.30	18.50	8.66	5.71	10.83	8.86	14.76	13.19	14.50	5.50	1-8	1-3/4	2-1/4	3.74	3.54	1/2x1/4	4-1/2	1x1/2
250	17.72	6.69	20.47	9.06	5.91	11.81	9.84	16.54	14.17	17.00	6.65	1-8	1-3/4	2-1/4	4.33	4.13	1/2x1/4	5	1-1/4x5/8