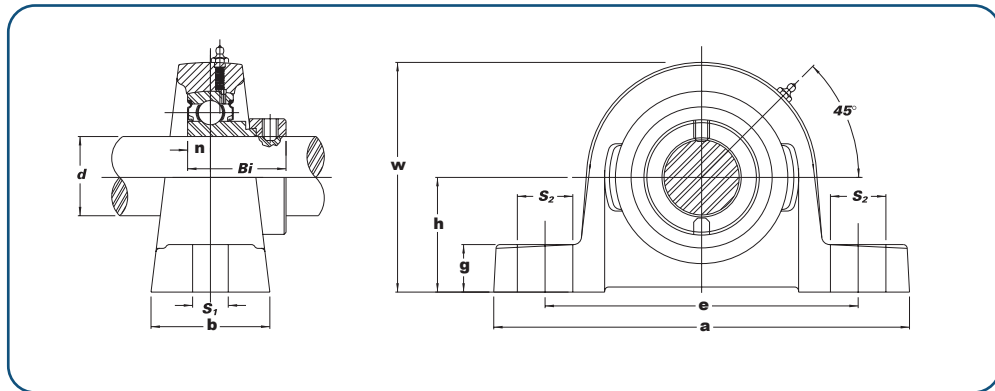


# Mounted Units - Pillow Blocks



## • SAP200 Series

### Pillow Block Narrow Inner Race, Eccentric Locking Collar



Designation	Shaft Dia.		Dimensions mm										Bolt Size	Bearing No.	Housing No.	Weight kg	
	In.	mm	h	a	e	b	S1	S2	g	w	Bi	n					
SAP 201-08	1/2													5/16 M8	SA 201-08		
	5/8		30.2	124	95	31	11	15	14	57.1	28.6	6			202-10	P203	0.45
SAP 204		20												3/8 M10	SA 204		
	3/4		33.3	127	95	38	13	19	14	65	31	7			204-12	P204	0.55
SAP 205		25												3/8 M10	SA 205		
	7/8		36.6	140	105	38	13	19	15	70	31	7.5			205-14	P205	0.8
	15/16														205-15		
	1														205-16		
SAP 206		30												1/2 M14	SA 206		
	1-1/16		42.9	165	121	48	17	21	17	83	35.7	8			206-17	P206	1.2
	1-1/8														206-18		
	1-3/16														206-19		
	1-1/4S														206-20		
SAP 207		35												1/2 M14	SA 207		
	1-1/4		47.6	167	127	48	17	21	18	94	38.9	8.5			207-20	P207	1.5
	1-5/16														207-21		
	1-3/8														207-22		
SAP 208		40												1/2 M14	SA 208		
	1-1/2		49.2	184	137	54	17	21	18	100	43.7	9			208-24	P208	2
	1-9/16														208-25		
SAP 209		45												1/2 M14	SA 209		
	1-5/8		54	190	146	54	17	21	20	108	43.7	9.5			209-26	P209	2.2
	1-11/16														209-27		
	1-3/4														209-28		
SAP 210		50												5/8 M16	SA 210		
	1-7/8		57.2	206	159	60	20	25	21	114	43.7	10			210-30	P210	2.4
	1-15/16														210-31		
	2S														210-32		
SAP 211		55												5/8 M16	SA 211		
	2		63.5	219	171	60	20	25	23	126	48.4	12			211-32	P211	2.8
	2-3/16														211-35		