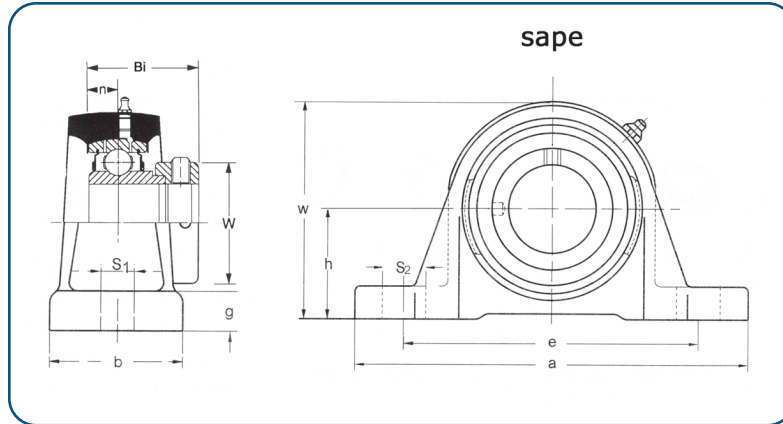


Mounted Units - Pillow Blocks



• SAPE200 Series

Pillow Block, Solid Base Design
Narrow Inner Race, Eccentric Locking Collar



Designation	Shaft Dia.		Dimensions mm										Bolt Size	Bearing No.	Housing No.	Weight kg
	In.	mm	h	a	e	b	S1	S2	g	w	Bi	n				
SAPE 201-08 202-10	1/2 5/8		30.2	124	95	31	11	15	14	57.1	28.6	6	3/8 M10	SA 201-08 202-10	PE203	0.45
SAPE 204 204-12		20 3/4	33.3	127	95	38	13	16	15	65	31	7	3/8 M10	SA 204 204-12	PE204	0.55
SAPE 205 205-14 205-15 205-16		25 7/8 15/16 1	36.6	140	105	38	13	16	16	70	31	7.5	3/8 M10	SA 205 205-14 205-15 205-16	PE205	0.8
SAPE 206 206-17 206-18 206-19 206-20		30 1-1/16 1-1/8 1-3/16 1-1/4S	42.9	165	121	48	17	21	18	83	35.7	8	1/2 M14	SA 206 206-17 206-18 206-19 206-20	PE206	1.2
SAPE 207 207-20 207-21 207-22 207-23		35 1-1/4 1-5/16 1-3/8 1-7/16	47.6	167	127	48	17	21	19	94	38.9	8.5	1/2 M14	SA 207 207-20 207-21 207-22 207-23	PE207	1.5
SAPE 208 208-24 208-25		40 1-1/2 1-9/16	49.2	184	137	54	17	25	19	100	43.7	9	1/2 M14	SA 208 208-24 208-25	PE208	2
SAPE 209 209-26 209-27 209-28		45 1-5/8 1-11/16 1-3/4	54	190	146	54	17	25	20	108	43.7	9.5	1/2 M14	SA 209 209-26 209-27 209-28	PE209	2.2
SAPE 210 210-30 210-31 210-32		50 1-7/8 1-15/16 2S	57.2	206	159	60	20	25	22	114	43.7	10	5/8 M16	SA 210 210-30 210-31 210-32	PE210	2.4
SAPE 211 211-32 211-35		55 2 2-3/16	63.5	219	171	60	20	25	22	126	48.4	12	5/8 M16	SA 211 211-32 211-35	PE211	2.8