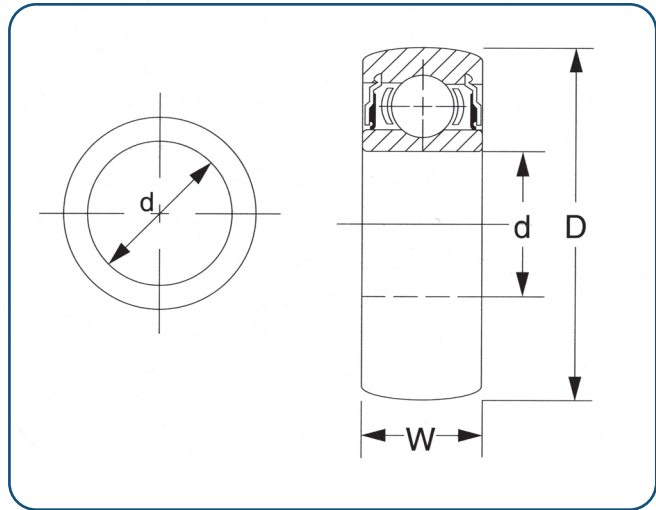




- CS 200 Series

## Spherical O.D.



Designation	d	D	W	Load Ratings N		Weight kg
				Dynamic	Static	
CS 202 DDU	15	35	11	7750	2600	0.045
CS 203 DDU	17	40	12	9600	4440	0.064
CS 204 DDU	20	47	14	12890	6270	0.105
CS 205 DDU	25	52	15	14000	7160	0.127
CS 206 DDU	30	62	16	19420	10310	0.195
CS 207 DDU	35	72	17	25640	14000	0.291
CS 208 DDU	40	80	18	32620	16220	0.373
CS 209 DDU	45	85	19	32670	18440	0.409
CS 210 DDU	50	90	20	35020	20670	0.459
CS 305 DDU	25	62	17	22220	11560	0.236
CS 306 DDU	30	72	19	29110	16220	0.355
CS 307 DDU	35	80	21	33330	19110	0.464
CS 308 DDU	40	90	23	42890	24890	0.641
CS 309 DDU	45	100	25	53330	31560	0.859
CS 310 DDU	50	110	27	62220	37780	1.114