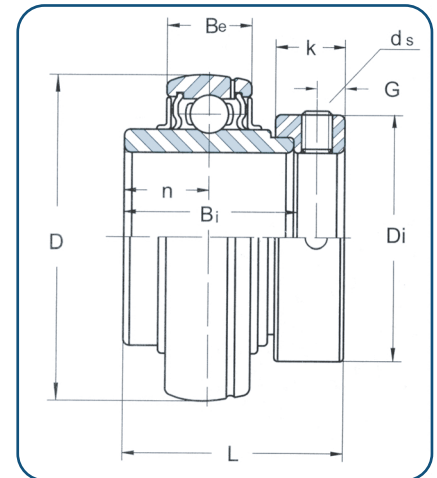


Bearing Inserts



• HC200 Series

Ball Bearing Insert, Standard Duty Wide Inner Race, Eccentric Locking Collar



Designation	Shaft Dia.		Dimensions mm										Basic load Ratings N		Weight kg	
	In.	mm	D	L	Bi	Be	n	Di	K	G	ds	dynamic C	static Co			
HC 201-08	1/2															0,23
202-10	5/8															0,28
204		20	47	43.5	34	17	17	33.3	13.5	5	1/4-28UNF M6x1.0	12890	6490		0,24	
204-12	3/4															0,21
HC 205		25														0,27
205-14	7/8															0,26
205-15	15/16		52	44.3	34.8	17	17.4	38.1	13.5	5	1/4-28UNF M6x1.0	14000	7560		0,25	
205-16	1															0,23
HC 206		30														0,45
206-17	1-1/16															0,43
206-18	1-1/8		62	48.3	36.4	19	18.2	44.5	15.9	6	5/16-24UNF M8x1.0	19510	11160		0,38	
206-19	1-3/16															0,36
206-20	1-1/4S															0,40
HC 207		35														0,60
207-20	1-1/4															0,66
207-21	1-5/16		72	51.1	37.6	20	18.8	55.6	17.5	6.5	5/16-24UNF M8x1.0	25648	15340		0,64	
207-22	1-3/8															0,61
207-23	1-7/16															0,58
HC 208		40														0,79
208-24	1-1/2		80	56.3	42.8	21	21.4	60.3	18.3	6.5	5/16-24UNF M8x1.0	28890	17110		0,86	
208-25	1-9/16															0,82
HC 209		45														0,85
209-26	1-5/8															0,93
209-27	1-11/16		85	56.3	42.8	22	21.4	63.5	18.3	6.5	5/16-24UNF M8x1.0	32670	18225		0,90	
209-28	1-3/4															0,85
HC 210		50														0,98
210-30	1-7/8															1,07
210-31	1-15/16		90	62.7	49.2	24	24.6	69.9	18.3	6.5	5/16-24UNF M8x1.0	35120	20850		1,03	
210-32	2S															0,95
HC 211		55														1,32
211-32	2															1,49
211-34	2-1/8		100	71.4	55.4	25	27.7	76.2	20	8	3/8-24UNF M10x1.25	43340	26000		1,37	
211-35	2-3/16															1,32
HC 212		60														1,87
212-36	2-1/4															1,99
212-38	2-3/8		110	77.7	61.8	27	30.9	84	22.3	8	3/8-24UNF M10x1.25	51120	36000		1,84	
212-39	2-7/16															1,76
HC 213		65														2,48
213-40	2-1/2		120	85.7	68.2	28	34.1	86	23.5	8.5	3/8-24UNF M10x1.25	56900	39560		2,49	
HC 214		70														2,47
214-43	2-11/16		125	85.7	68.2	30	34.1	96.8	23.5	8.5	3/8-24UNF M10x1.25	62230	44010		2,70	
214-44	2-3/4															2,35
HC 215		75														2,68
215-47	2-15/16		130	92.1	74.6	30	37.3	102	23.5	8.5	3/8-24UNF M10x1.25	66230	48900		2,67	
215-48	3															2,55