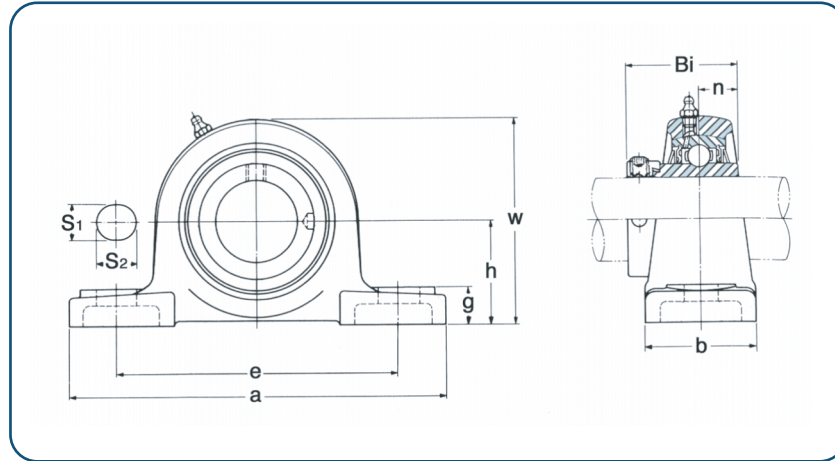


Mounted Units - Pillow Blocks



• HCAK200 Series

Pillow Block, Low Shaft Height Wide Inner Race, Eccentric Locking Collar



Designation	Shaft	Dia.	Dimensions mm										Bolt Size	Bearing No.	Housing No.	Weight kg
			h	a	e	b	S1	S2	g	w	Bi	n				
HCAK 201-08 202-10 204	1/2 5/8	20	31.8	133	98	41	12	16	14	64	43.5	17	3/8 M10	HC 201-08	AK204	0.74
204-12	3/4													202-10 204		
HCAK 205	7/8													205-14		
HCAK 205-14 205-15 205-16	15/16 1	25	33.3	140	105	45	12	16	16	68	44.3	17.4	3/8 M10	HC 205	AK205	0.94
205-16	1													205-14 205-15 205-16		
HCAK 206	7/8													206-17		
HCAK 206-17 206-18 206-19 206-20	1-1/16 1-1/8 1-3/16 1-1/4S	30	39.7	160	121	48	15	19	17	80	48.3	18.2	1/2 M14	HC 206	AK206	1.5
206-17	1-1/16													206-17 206-18 206-19 206-20		
HCAK 207	1-1/4													207-20		
HCAK 207-20 207-21 207-22 207-23	1-5/16 1-3/8 1-7/16	35	46	167	127	48	15	19	19	92	51.1	18.8	1/2 M14	HC 207	AK207	1.82
207-20	1-1/4													207-20 207-21 207-22 207-23		
HCAK 208	1-1/2													208-24		
HCAK 208-24 208-25	1-9/16	40	49.2	181	140	54	15	19	19	100	56.3	21.4	1/2 M14	HC 208	AK208	2.2
208-24	1-1/2													208-24 208-25		
HCAK 209	1-5/8													209-26		
HCAK 209-26 209-27 209-28	1-11/16 1-3/4	45	52.4	190	146	54	15	19	21	106	56.3	21.4	1/2 M14	HC 209	AK209	2.95
209-26	1-5/8													209-26 209-27 209-28		
HCAK 210	1-7/8													210-30		
HCAK 210-30 210-31 210-32	1-15/16 2S	50	55.6	203	159	57	15	19	22	113	62.7	24.6	5/8 M16	HC 210	AK210	3.4
210-30	1-7/8													210-30 210-31 210-32		
HCAK 211	2													211-32		
HCAK 211-32 211-34 211-35	2-1/8 2-3/16	55	61.9	232	181	60	20	24	25	125	71.4	27.7	5/8 M16	HC 211	AK211	5.15
211-32	2													211-32 211-34 211-35		
HCAK 212	2-1/4													212-36		
HCAK 212-36 212-38 212-39	2-3/8 2-7/16	60	68.3	241	190	64	20	24	29	138	77.7	30.9	5/8 M16	HC 212	AK212	5.7
212-36	2-1/4													212-36 212-38 212-39		