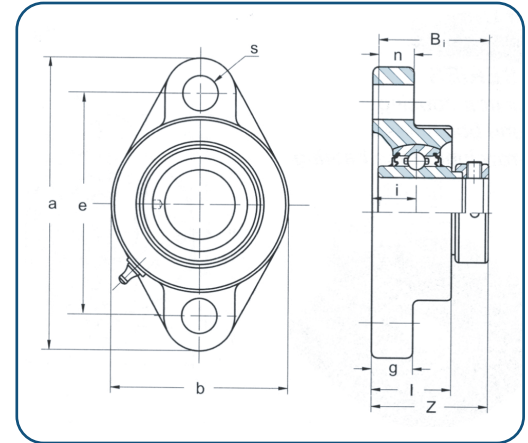


Mounted Units - 2-Bolt Flanges



• HCFLU200 Series

2-Bolt Flange Wide Inner Race, Eccentric Locking Collar



Designation	Shaft Dia.		Dimensions mm										Bolt Size	Bearing No.	Housing No.	Weight kg
	in.	mm	a	e	i	g	l	s	b	z	Bi	n				
HCFLU 201-08	1/2													HC 201-08		
202-10	5/8												3/8	202-10		
204		20	112.5	90	19	15	29.5	11.5	61	45.4	43.5	17.1	M10	204	FLU204	0.6
204-12	3/4													204-12		
HCFLU 205		25												HC 205		
205-14	7/8												3/8	205-14		
205-15	15/16		123	99	19	15	30	11.5	70	45.8	44.3	17.5	M10	205-15	FLU205	0.8
205-16	1													205-16		
HCFLU 206		30												HC 206		
206-17	1-1/16												3/8	206-17		
206-18	1-1/8		142	116.5	20	16	32.5	11.5	82	50	48.3	18.3	M10	206-18	FLU206	1.1
206-19	1-3/16													206-19		
206-20	1-1/4S													206-20		
HCFLU 207		35												HC 207		
207-20	1-1/4												7/16	207-20		
207-21	1-5/16		158	130	21	17	36	14	94	53.3	51.1	18.8	M12	207-21	FLU207	1.4
207-22	1-3/8													207-22		
207-23	1-7/16													207-23		
HCFLU 208		40												HC 208		
208-24	1-1/2		172	143.5	24	17	39	14	103	58.9	56.3	21.4	7/16	208-24	FLU208	1.8
208-25	1-9/16													208-25		
HCFLU 209		45												HC 209		
209-26	1-5/8												1/2	209-26		
209-27	1-11/16		180	148.5	24	18	40	16	108	58.9	56.3	21.4	M14	209-27	FLU209	2.1
209-28	1-3/4													209-28		
HCFLU 210		50												HC 210		
210-30	1-7/8												5/8	210-30		
210-31	1-15/16		190	157	28	20	45	18	114	66.1	62.7	24.6	M16	210-31	FLU210	2.5
210-32	2S													210-32		
HCFLU 211		55												HC 211		
211-32	2												5/8	211-32		
211-34	2-1/8		217	184	31	21	48	18	128	74.6	71.4	27.8	M16	211-34	FLU211	3.5
211-35	2-3/16													211-35		
HCFLU 212		60												HC 212		
212-36	2-1/4												5/8	212-36		
212-38	2-3/8		237	202	34	21	53	18	138	80.1	77.7	31.0	M16	212-38	FLU212	4.5
212-39	2-7/16													212-39		
HCFLU 213		65												HC 213		
213-40	2-1/2		256	210	38	22	56	21	152	89.6	85.7	34.1	5/8	213-40	FLU213	5.6
													M18			
HCFLU 214		70												HC 214		
214-44	2-3/4		264	216	38	23	58	21	157	89.6	85.7	34.1	5/8	214-44	FLU214	5.7
													M18			
HCFLU 215		75												HC 215		
215-47	2-15/16		275	225	41	24	62	21	164	95.8	92.1	37.3	5/8	215-47	FLU215	6.6
215-48	3													215-48		