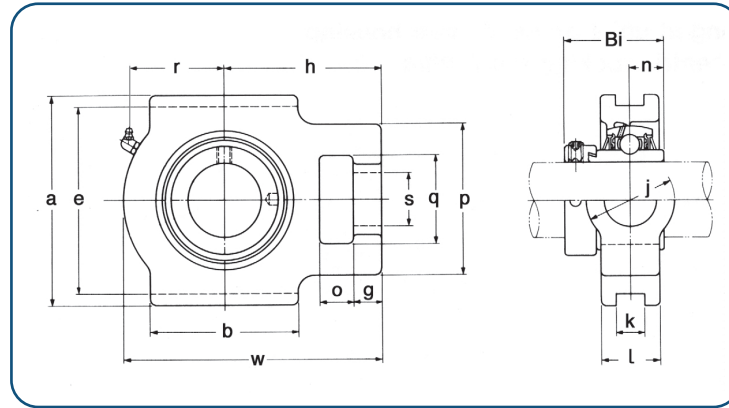


Mounted Units - Take-up Units



• HCST200 Series

Take-up, Wide Slot Wide Inner Race, Eccentric Locking Collar



Designation	Shaft Dia.		Dimensions mm															Bearing No.	Housing No.	Weight kg	
	In.	mm	o	g	p	q	s	b	k	e	a	w	l	j	r	h	Bi				n
HCST 201-08	1/2																		HC 201-08		
202-10	5/8																		202-10		
204		20	16	10	51	32	19	51	13.5	76.2	89	94	24	32	33	60	43.5	17	204	ST 204	0,80
204-12	3/4																		204-12		
HCST 205		25																	HC 205		
205-14	7/8		16	10	51	32	22	51	13.5	76.2	89	97	24	32	35	62	44.3	17.4	205-14	ST 205	0,90
205-15	15/16																		205-15		
205-16	1																		205-16		
HCST 206		30																	HC 206		
206-17	1-1/16		16	10	56	37	22	57	13.5	89	102	113	24	37	43	70	48.3	18.2	206-17	ST 206	1,42
206-18	1-1/8																		206-18		
206-19	1-3/8																		206-19		
206-20	1-1/4S																		206-20		
HCST 207		35																	HC 207		
207-20	1-1/4		16	13	64	37	22	64	13.5	89	102	129	30	37	51	78	51.1	18.8	207-20	ST 207	1,70
207-21	1-5/16																		207-21		
207-22	1-3/8																		207-22		
207-23	1-7/16																		207-23		
HCST 208		40																	HC 208		
208-24	1-1/2		19	16	83	49	29	83	17.5	102	114	144	35	49	56	89	56.3	21.4	208-24	ST 208	2,50
208-25	1-9/16																		208-25		
HCST 209		45																	HC 209		
209-26	1-5/8		19	16	83	49	29	83	17.5	102	117	145	35	49	57	87	56.3	21.4	209-26	ST 209	2,65
209-27	1-11/16																		209-27		
209-28	1-3/4																		209-28		
HCST 210		50																	HC 210		
210-30	1-7/8		19	16	83	49	29	86	17.5	102	117	151	35	49	59	90	62.7	24.6	210-30	ST 210	2,80
210-31	1-15/16																		210-31		
210-32	2S																		210-32		
HCST 211		55																	HC 211		
211-32	2		25	19	102	64	35	95	27	130	146	171	41	64	65	106	71.4	27.7	211-32	ST 211	4,40
211-34	2-1/8																		211-34		
211-35	2-3/16																		211-35		
HCST 212		60																	HC 212		
212-36	2-1/4		25	19	102	64	35	102	27	130	146	194	46	64	75	119	77.7	30.9	212-36	ST 212	5,10
212-38	2-3/8																		212-38		
212-39	2-7/16																		212-39		
HCST 213		65																	HC 213		
213-40	2-1/2		32	21	111	70	41	121	27	151	167	224	51	70	87	137	85.7	34.1	213-40	ST 213	7,15
HCST 214		70																	HC 214		
214-43	2-11/16		32	21	111	70	41	121	27	151	167	224	46	70	87	137	85.7	34.1	214-43	ST 214	7,30
214-44	2-3/4																		214-44		
HCST 215		75																	HC 215		
215-47	2-15/16		32	21	111	70	41	121	27	151	167	232	48	70	92	140	92.1	37.3	215-47	ST 215	8,10
215-48	3																		215-48		