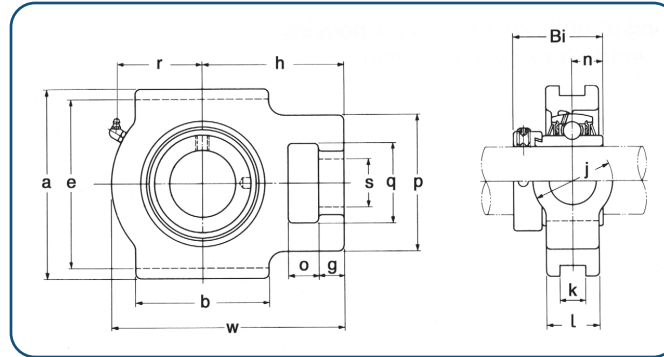


Mounted Units - Take-up Units



• HCT200 Series

Take-up, Narrow Slot Wide Inner Race, Eccentric Locking Collar



Designation	Shaft Dia.		Dimensions mm															Bearing No.	Housing No.	Weight kg	
	In.	mm	o	g	p	q	s	b	k	e	a	w	l	j	r	h	Bi				n
HCT 201-08	1/2																		HC 201-08		
202-10	5/8																		202-10		
204		20	16	10	51	32	19	51	12	76.2	89	94	21	32	33	61	43.5	17	204	T 204	0,80
204-12	3/4																		204-12		
HCT 205		25																	HC 205		
205-14	7/8		16	10	51	32	19	51	12	76.2	89	97	24	32	35	62	44.3	17.4	205-14		
205-15	15/16																		205-15	T 205	0,90
205-16	1																		205-16		
HCT 206		30																	HC 206		
206-17	1-1/16																		206-17		
206-18	1-1/8		16	10	56	37	22	57	12	89	102	113	28	37	43	70	48.3	18.2	206-18	T 206	1,42
206-19	1-3/8																		206-19		
206-20	1-1/4S																		206-20		
HCT 207		35																	HC 207		
207-20	1-1/4																		207-20		
207-21	1-5/16		16	13	64	37	22	64	12	89	102	129	30	37	51	78	51.1	18.8	207-21	T 207	1,70
207-22	1-3/8																		207-22		
207-23	1-7/16																		207-23		
HCT 208		40																	HC 208		
208-24	1-1/2		19	16	83	49	29	83	16	102	114	144	33	49	56	88	56.3	21.4	208-24	T 208	2,50
208-25	1-9/16																		208-25		
HCT 209		45																	HC 209		
209-26	1-5/8		19	16	83	49	29	83	16	102	117	145	35	49	57	88	56.3	21.4	209-26		
209-27	1-11/16																		209-27	T 209	2,65
209-28	1-3/4																		209-28		
HCT 210		50																	HC 210		
210-30	1-7/8		19	16	83	49	29	86	16	102	117	151	37	49	59	92	62.7	24.6	210-30		
210-31	1-15/16																		210-31	T 210	2,80
210-32	2S																		210-32		
HCT 211		55																	HC 211		
211-32	2		25	19	102	64	35	95	22	130	146	171	38	64	65	106	71.4	27.7	211-32		
211-34	2-1/8																		211-34	T 211	4,40
211-35	2-3/16																		211-35		
HCT 212		60																	HC 212		
212-36	2-1/4		32	19	102	64	35	102	22	130	146	194	42	64	75	119	77.7	30.9	212-36		
212-38	2-3/8																		212-38	T 212	5,10
212-39	2-7/16																		212-39		
HCT 213		65																	HC 213		
213-40	2-1/2		32	21	111	70	41	121	26	151	167	224	44	70	87	137	85.7	34.1	213-40	T 213	7,15
HCT 214		70																	HC 214		
214-43	2-11/16		32	21	111	70	41	121	26	151	167	224	46	70	87	137	85.7	34.1	214-43		
214-44	2-3/4																		214-44	T 214	7,30
HCT 215		75																	HC 215		
215-47	2-15/16		32	21	111	70	41	121	26	151	167	232	48	70	92	140	92.1	37.3	215-47		
215-48	3																		215-48	T 215	8,10