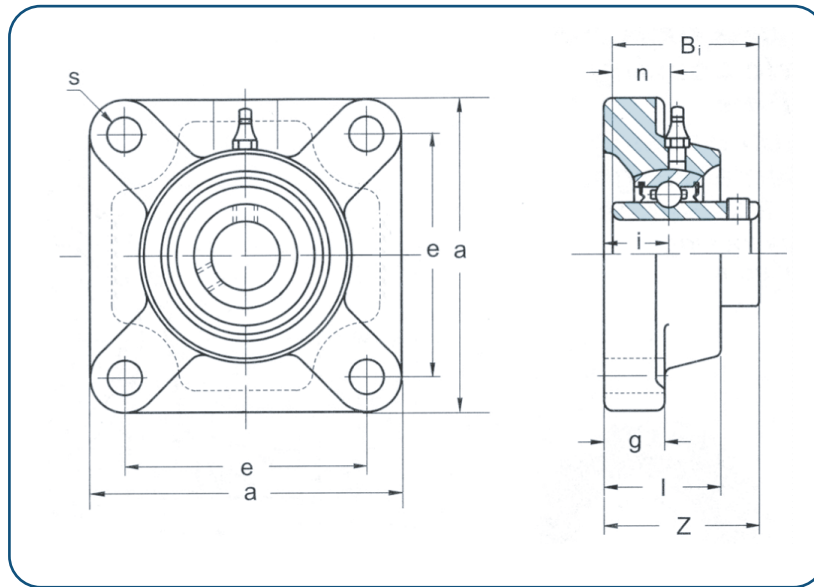


All Stainless Steel Units



• MUCF200 Series

4-Bolt Flanges, Solid Base Design
Wide Inner Race, Set Screw Locking,
Food Grade Grease



Designation	Shaft Dia.		Dimensions mm									Bolt Size	Bearing No.	Housing No.	Weight kg
	In.	mm	a	e	i	g	l	s	z	Bi	n				
MUCF 201-08 202-10 204-12 204	1/2 5/8 3/4	20	86	64	15	11	25.4	12	33.3	31	12.7	3/8 M10	MUC 201-08 202-10 204-12 204	MF204	0.7
MUCF 205 205-14 205-15 205-16	7/8 15/16 1	25	95	70	16	13	27	12	35.7	34	14.3	3/8 M10	MUC 205 205-14 205-15 205-16	MF205	0.8
MUCF 206 206-17 206-18 206-19 206-20	1-1/16 1-1/8 1-3/16 1-1/4S	30	108	83	18	13	31	12	40.2	38.1	15.9	3/8 M10	MUC 206 206-17 206-18 206-19 206-20	MF206	1.0
MUCF 207 207-20 207-21 207-22 207-23	1-1/4 1-5/16 1-3/8 1-7/16	35	117	92	19	15	34	14	44.4	42.9	17.5	7/16 M12	MUC 207 207-20 207-21 207-22 207-23	MF207	1.4
MUCF 208 208-24	1-1/2	40	130	102	21	15	36	16	51.2	49.2	19	1/2 M14	MUC 208 208-24	MF208	1.8
MUCF 209 209-26 209-27 209-28	1-5/8 1-11/16 1-3/4	45	137	105	22	16	38	16	52.2	49.2	19	1/2 M14	MUC 209 209-26 209-27 209-28	MF209	2.2
MUCF 210 210-30 210-31 210-32	1-7/8 1-15/16 2S	50	143	111	22	16	40	16	54.6	51.6	19	1/2 M14	MUC 210 210-30 210-31 210-32	MF210	2.4