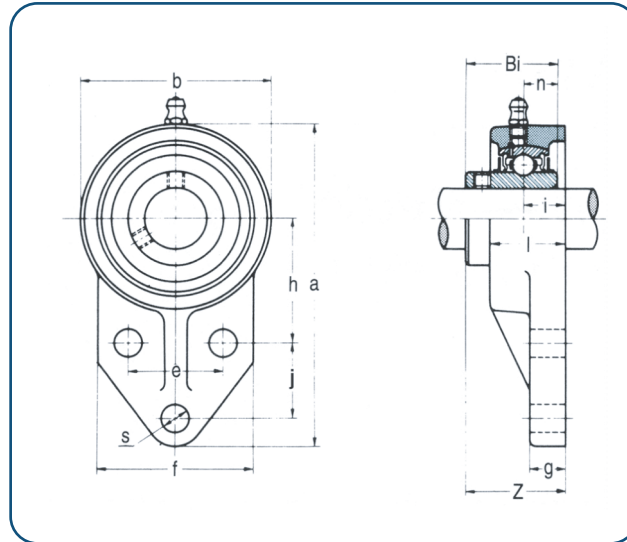


All Stainless Steel Units



• MUCFB200 Series

3-Bolt Flange Brackets, Solid Base Design,
Wide Inner Race, Set Screw Locking,
Food Grade Grease



Designation	Shaft Dia.. In. mm	Dimensions mm													Bolt Size	Bearing No.	Housing No.	Weight kg				
		a	h	e	j	i	g	l	s	b	f	z	Bi	n								
MUCFB 201-08	1/2																		MUC 201-08			
202-10	5/8																		202-10			
204	20	108	42.9	38.1	22.2	16	8	25.4	10	63	60	34.3	31	12.7				M8	204	MFB204	0.7	
204-12	3/4																		204-12			
MUCFB 205	25																		MUC 205			
205-14	7/8																		205-14			
205-15	15/16	121	46	41.3	28.6	17	9.5	29	10	70	64	36.8	34	14.3				5/16 M8	205-15	MFB205	0.8	
205-16	1																		205-16			
MUCFB 206	30																		MUC 206			
206-17	1-1/16																		206-17			
206-18	1-1/8	137	52.4	47.6	31.8	19	9.5	32	10	83	70	41.2	38.1	15.9				5/16 M8	206-18	MFB206	1	
206-19	1-3/16																		206-19			
206-20	1-1/4S																		206-20			
MUCFB 207	35																		MUC 207			
207-20	1-1/4																		207-20			
207-21	1-5/16	156	60.3	50.8	31.8	21	13.5	37	13	95	83	46.4	42.9	17.5				3/8 M10	207-21	MFB207	1.3	
207-22	1-3/8																		207-22			
207-23	1-7/16																		207-23			
MUCFB 208	40																		MUC 208			
208-24	1-1/2	164	60	50.8	41	21	16	34	11	100	78	51.2	49.2	19				3/8 M10	208-24	MFB208	1.4	
208-25	1-9/16																		208-25			
MUCFB 209	45																		MUC 209			
209-26	1-5/8																		209-26			
209-27	1-11/16	174	65	54	42.9	21	18	38	11	106	80	51.2	49.2	19				3/8 M10	209-27	MFB209	2.2	
209-28	1-3/4																		209-28			
MUCFB 210	50																		MUC 210			
210-30	1-7/8																		210-30			
210-31	1-15/16	191	74.6	69.9	41.3	21	18	38	13	118	102	53.6	51.6	19				7/16 M12	210-31	MFB210	2.5	
210-32	2S																		210-32			