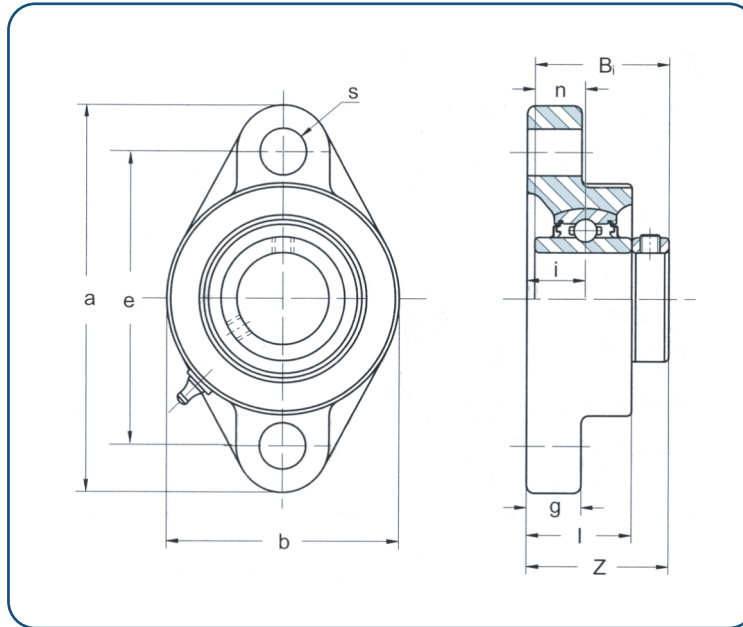


# All Stainless Steel Units



## • MUCFL200 Series

2-Bolt Flanges, Solid Base design,  
Wide Inner Race, Set Screw Locking,  
Food Grade Grease



Designation	Shaft Dia.		Dimensions mm										Bolt Size	Bearing No.	Housing No.	Weight kg	
	In.	mm	a	e	i	g	l	s	b	z	s	n					
MUCFL 201-08	1/2														MUC 201-08		
202-10	5/8		113	90	15	11	25.5	10.5	60	33.3	31	12.7	M8	202-10	MFL204	0.5	
204-12	3/4												5/16	204-12			
204		20												204			
MUCFL 205		25												MUC 205			
205-14	7/8		130	99	16	13	27	12.5	68	35.7	34	14.3	M10	205-14	MFL205	0.6	
205-15	15/16												3/8	205-15			
205-16	1													205-16			
MUCFL 206		30												MUC 206			
206-17	1-1/16		148	117	18	13	31	12.5	80	40.2	38.1	15.9	M10	206-17	MFL206	0.9	
206-18	1-1/8												3/8	206-18			
206-19	1-3/16													206-19			
206-20	1-1/4S													206-20			
MUCFL 207		35												MUC 207			
207-20	1-1/4		161	130	19	16	34	14	90	44.4	42.9	17.5	M12	207-20	MFL207	1.2	
207-21	1-5/16												7/16	207-21			
207-22	1-3/8													207-22			
207-23	1-7/16													207-23			
MUCFL 208		40												MUC 208			
208-24	1-1/2		175	144	21	16	36	14	100	51.2	49.2	19	M12	208-24	MFL208	1.6	
208-25	1-9/16												7/16	208-25			
MUCFL 209		45												MUC 209			
209-26	1-5/8		188	148	22	18	38	16	108	52.2	49.2	19	M14	209-26	MFL209	1.9	
209-27	1-11/16												1/2	209-27			
209-28	1-3/4													209-28			
MUCFL 210		50												MUC 210			
210-30	1-7/8		197	157	22	18	40	16	115	54.6	51.6	19	M14	210-30	MFL210	2.2	
210-31	1-15/16												1/2	210-31			
210-32	2S													210-32			