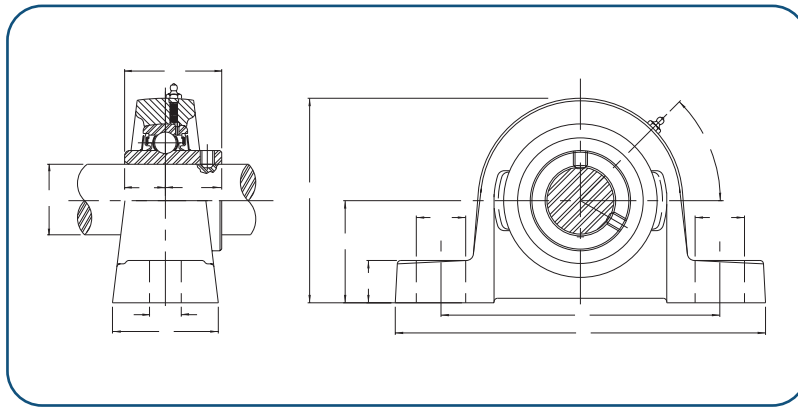


All Stainless Steel Units



• MUCP200 Series

Pillow Blocks, Solid Base Design,
Wide Inner Race, Set Screw Locking,
Food Grade Grease



Designation	Shaft Dia.		Dimensions mm										Bolt Size	Bearing No.	Housing No.	Weight kg
	In.	mm	h	a	e	b	S1	S2	g	w	Bi	n				
MUCP 201-08 202-10 204	1/2 5/8	20	33,3	127	95	38	13	19	13	65	31	12.7	3/8 M10	MUC 201-08 202-10 204	MP204	0,8
MUCP 204-12	3/4													MUC 204-12		
MUCP 205	25													MUC 205		
MUCP 205-14 205-15 205-16	7/8 15/16 1	25	36,6	140	105	38	13	19	15	71	34	14.3	3/8 M10	MUC 205-14 205-15 205-16	MP205	1
MUCP 206	30													MUC 206		
MUCP 206-17 206-18 206-19 206-20	1-1/16 1-1/8 1-3/16 1-1/4S													42,9		
MUCP 207	35	MUC 207														
MUCP 207-20 207-21 207-22 207-23	1-1/4 1-5/16 1-3/8 1-7/16	47,6	167	127	48	17	21	19	93	42.9	17.5	1/2 M14	MUC 207-20 207-21 207-22 207-23	MP206	2.1	
MUCP 208	40	MUC 208														
MUCP 208-24 208-25	1-1/2 1-9/16	49,2	184	137	54	17	21	20	98	49.2	19.0	1/2 M14	MUC 208-24 208-25			MP208
MUCP 209	45	MUC 209														
MUCP 209-26 209-27 209-28	1-5/8 1-11/16 1-3/4	54,0	190	146	54	17	20	20	106	49.2	19.0	1/2 M14	MUC 209-26 209-27 209-28	MP209	3	
MUCP 210	50	MUC 210														
MUCP 210-30 210-31 210-32	1-7/8 1-15/16 2S	57,2	206	159	60	20	22	22	114	51.6	19.0	5/8 M16	MUC 210-30 210-31 210-32			MP210
MUCP 211	55	MUC 211														
MUCP 211-32 211-34 211-35	2 2-1/8 2-3/16	63,5	219	171	60	20	22	22	125	55.6	22.2	5/8 M16	MUC 211-32 211-34 211-35	MP211	4.4	
MUCP 212	60	MUC 212														
MUCP 212-36 212-38 212-39	2-1/4 2-3/8 2-7/16	69,8	241	184	70	20	25	25	138	65.1	25.4	5/8 M16	MUC 212-36 212-38 212-39			MP212