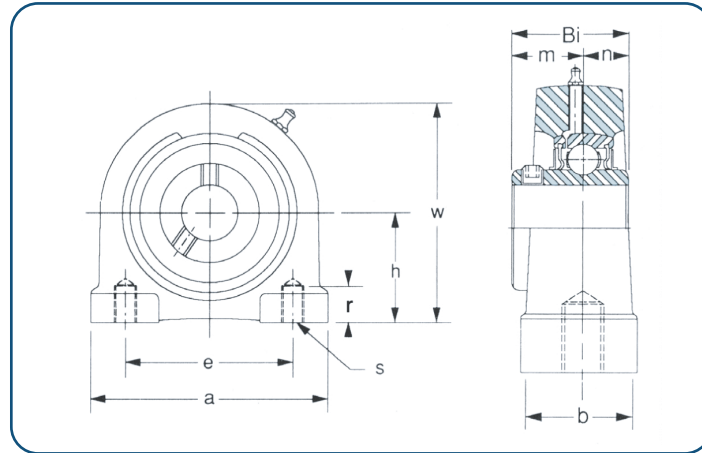


All Stainless Steel Units



• MUCPA200 Series

Tapped Base Pillow Blocks, Solid Base Design,
Wide Inner Race, Set Screw Locking,
Food Grade Grease



Designation	Shaft Dia.		Dimensions mm									Bearing No.	Housing No.	Weight kg
	In.	mm	h	a	e	b	S	r	w	Bi	n			
MUCPA 201-08	1/2											MUC 201-08		
202-10	5/8											202-10		
204		20	33.3	73	50.8	38	3/8-16	13	65	31	12.7	204	MPA204	0.6
204-12	3/4											204-12		
MUCPA 205		25										MUC 205		
205-14	7/8											205-14		
205-15	15/16		36.5	76	50.8	38	3/8-16	13	71	34	14.3	205-15	MPA205	0.8
205-16	1											205-16		
MUCPA 206		30										MUC 206		
206-17	1-1/16											206-17		
206-18	1-1/8		42.9	102	76.2	38	7/16-14	16	86	38.1	15.9	206-18	MPA206	1.2
206-19	1-3/16											206-19		
206-20	1-1/4S											206-20		
MUCPA 207		35										MUC 207		
207-20	1-1/4											207-20		
207-21	1-5/16		47.6	108	82.6	48	1/2-13	19	95	42.9	17.5	207-21	MPA207	1.7
207-22	1-3/8											207-22		
207-23	1-7/16											207-23		
MUCPA 208		40										MUC 208		
208-24	1-1/2		49.2	117	88.9	48	1/2-13	19	100	49.2	19	208-24	MPA208	1.9
208-25	1-9/16											208-25		
MUCPA 209		45										MUC 209		
209-26	1-5/8											209-26		
209-27	1-11/16		54	127	95.3	52	1/2-13	19	108	49.2	19	209-27	MPA209	2.2
209-28	1-3/4											209-28		
MUCPA 210		50										MUC 210		
210-30	1-7/8		57.2	140	101.6	51	5/8-11	22	117	51.6	19	210-30	MPA210	2.6
210-31	1-15/16											210-31		
210-32	2S											210-32		