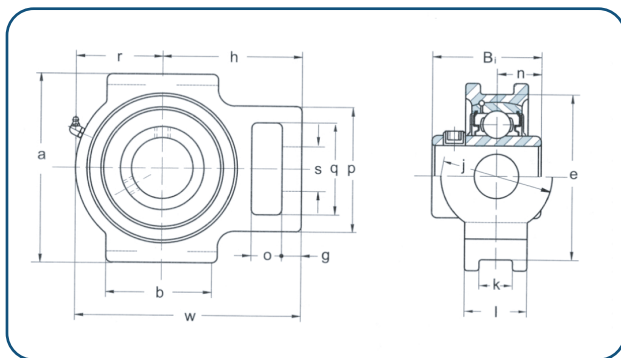


All Stainless Steel Units



• MUCT200 Series

Take-Up Units, Narrow Slot,
Wide Inner Race, Set Screw Locking,
Food Grade Grease



Designation	Shaft Dia.		Dimensions mm														Bearing No.	Housing No.	Weight kg		
	In.	mm	o	g	p	q	s	b	k	e	a	w	l	j	h	Bi				n	
MUCT 201-08	1/2																		MUC 201-08		
202-10	5/8																		202-10		
204		20	16	10	51	32	19	51	12	76	89	94	21	32	61	31	12.7	204	MT204	0.77	
204-12	3/4																		204-12		
MUCT 205		25																	MUC 205		
205-14	7/8																		205-14		
205-15	15/16		16	10	51	32	19	51	12	76	89	97	24	32	62	34	14.3	205-15	MT205	0.86	
205-16	1																	205-16			
MUCT 206		30																	MUC 206		
206-17	1-1/16																		206-17		
206-18	1-1/8		16	10	56	37	22	57	12	89	102	113	28	37	70	38.1	15.9	206-18	MT206	1.32	
206-19	1-3/8																	206-19			
206-20	1-1/4S																	206-20			
MUCT 207		35																	MUC 207		
207-20	1-1/4																		207-20		
207-21	1-5/16		16	13	64	37	22	64	12	89	102	129	30	37	78	42.9	17.5	207-21	MT207	1.59	
207-22	1-3/8																	207-22			
207-23	1-7/16																	207-23			
MUCT 208		40																	MUC 208		
208-24	1-1/2		19	16	83	49	29	83	16	102	114	144	33	49	88	49.2	19	208-24	MT208	2.30	
MUCT 209		45																	MUC 209		
209-26	1-5/8																		209-26		
209-27	1-11/16		19	16	83	49	29	83	16	102	117	144	35	49	88	49.2	19	209-27	MT209	2.50	
209-28	1-3/4																	209-28			
MUCT 210		50																	MUC 210		
210-30	1-7/8																		210-30		
210-31	1-15/16		19	16	83	49	29	86	16	102	117	149	37	49	90	51.6	19	210-31	MT210	2.60	
210-32	2S																	210-32			