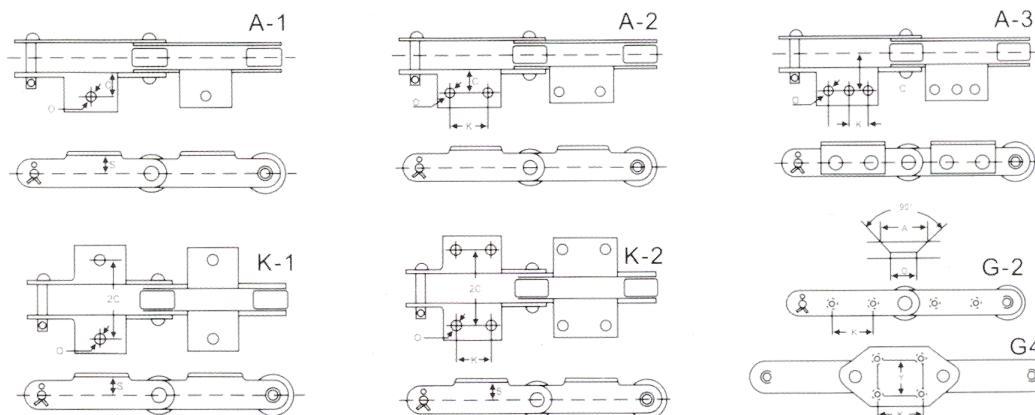


Roller Chains



Conveyor Chain Attachments



A.K. Attachments

Att Type	Chain No.	Attachment Size				kg/pc
		S	C	K	O	
A-1 dl K-1	RF 204-S	24	45	-	12	0.08
	RF 05075-S	22	35	-	10	0.03
	RF 205-S	30	55	-	12	0.13
A-2 dl K-2	RF 03075-R,F,S	20	30	30	10	0.05
	RF 205-S	35	60	30	12	0.23
	RF 03100-R,F,S	20	30	40	10	0.06
	RF 05100-R,F,S	22	35	40	10	0.08
	RF 10100-S	28	50	40	12	0.16
	RF 430-R,S	22	40	40	12	0.11
	RF 450-R,F,S	28	50	40	12	0.18
	RF 214-R,S	35	55	40	15	0.28
	RF08150-F	28	50	60	12	0.22
	RF 05150-R,F,S	22	35	60	10	0.10
	RF 10150-R,F,S	28	50	60	12	0.20
	RF 6205-R,F,S	38	60	60	15	0.37
	RF 212-R,S	45	65	60	15	0.49
	RF 650-R,F,S	32	50	60	12	0.22
	A-2	RF 12200-R,F,S	38	60	80	15
RF 17200-R,F,S		45	75	80	15	0.66
RF 12250-R,F,S		38	60	125	15	0.62
RF 17250-R,F,S		45	75	125	15	0.79
RF 16200-R,F		35	65	80	15	0.45
RF 20200-R,F		40	70	80	15	0.50
RF 25200-R,F		45	75	80	15	0.58
RF 16250-R,F		35	65	125	15	0.62
RF 35300-R,F		50	80	180	15	1.03
A-2 Welded	RF 17300-R,F,S	45	75	180	15	1.34
	RF 26300-R,F,S	55	80	180	15	2.22
	RF 2033-R,F	40	70	180	15	1.34
	RF 25300-R,F	45	75	180	15	2.22
A-3 Welded	RF 26450-R,F,S	55	80	140	15	3.26
	RF 36450-R,F,S	70	100	140	19	5.07
	RF 52450-R,F	80	120	140	24	6.3
	RF 36600-R,F,S	70	100	180	19	6.26
	RF 52600-R,F	80	120	180	24	7.80

G-2 Attachments

Chain No.	Attachment Size		
	S	C	O
RF 204-S	24	45	12
RF 05075-S	22	35	10
RF 205-S	30	55	12
RF 03075-R,F,S	20	30	10
RF 205-S	35	60	12
RF 03100-R,F,S	20	30	10
RF 05100-R,F,S	22	35	10
RF 10100-S	28	50	12
RF 430-R,S	22	40	12
RF 450-R,F,S	28	50	12
RF 214-R,S	35	55	15
RF08150-F	28	50	12
RF 05150-R,F,S	22	35	10
RF 10150-R,F,S	28	50	12
RF 6205-R,F,S	38	60	15
RF 212-R,S	45	65	15
RF 650-R,F,S	32	50	12
RF 12200-R,F,S	38	60	15
RF 17200-R,F,S	45	75	15
RF 12250-R,F,S	38	60	15
RF 17250-R,F,S	45	75	15
RF 16200-R,F	35	65	15
RF 20200-R,F	40	70	15
RF 25200-R,F	45	75	15
RF 16250-R,F	35	65	15
RF 35300-R,F	50	80	15
RF 17300-R,F,S	45	75	15
RF 26300-R,F,S	55	80	15
RF 2033-R,F	40	70	15
RF 25300-R,F	45	75	15
RF 26450-R,F,S	55	80	15
RF 36450-R,F,S	70	100	19
RF 52450-R,F	80	120	24
RF 36600-R,F,S	70	100	19
RF 52600-R,F	80	120	24

G-4 Attachments

Chain No.	Attachment Size			
	K	Y	O	A
RF 10150-S	75	70	12	20
RF 6205-S	75	70	15	26
RF 12200-S	100	70	15	26
RF 17200-S	100	80	15	26
RF 26250-S	140	100	15	26
RF 26300-S	180	100	15	26
RF 650-S	75	70	12	20
RF 26200-S	100	80	15	26
RF 36250-S	140	100	19	32
RF 36300-S	180	100	19	32