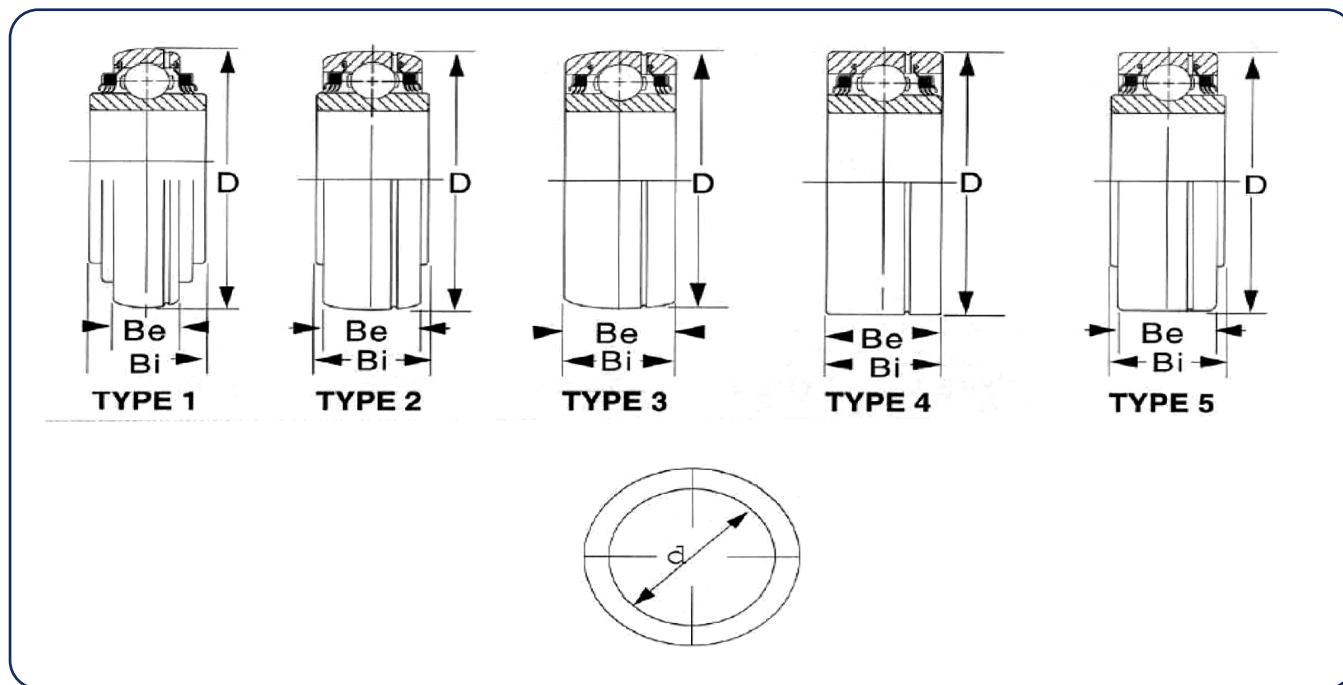


Disc Harrow Bearings



- Round Bore – Relubricatable



Designation	Type	Dimensions				Basic load ratings		Mass kg
		Shaft d	O.D. D	Width		dynamic C	static Co	
				Inner Ring Bi	Outer ring Be			
mm						kN		
GW209PPB2	3	45	85	30,18	30,18	36,8	20,2	0,65
GW209PPB4	3	39	85	30,18	30,18	36,8	20,2	0,75
GW209PPB11	1	45,24	85	36,53	22	36,8	20,2	0,62
GW210PPB2	3	49,23	90	30,18	30,18	39,9	23	0,68
GW210PP3	4	37,53	90	30,18	30,18	39,9	23	1,02
GW210PPB5	3	45,34	90	30,18	30,18	39,9	23	0,79
GW210PP9	5	49,4	90	36,53	23	39,9	23	0,79
GW211PP2	4	55,58	100	33,34	33,34	48,8	29	1,36
GW211PPB2	3	55,58	100	33,34	33,34	48,8	29	1,19
GW211PPB8	1	55,58	100	33,34	25	48,8	29	0,84
GW211PPB9	1	55,75	100	39,69	25	48,8	29	0,92
GW211PPB10	3	49,23	100	33,34	33,34	48,8	29	1,03
GW211PPB13	1	45,34	100	33,34	25	48,8	29	0,92
GW211PPB14	1	51,18	100	33,34	25	48,8	29	0,91
GW214PP2	4	70	125	39,69	39,69	71	43,5	1,9
GW214PPB2	3	70	125	39,69	39,69	71	43,5	1,8
GW214PPB3	3	49,23	125	39,69	39,69	71	43,5	1,93
GW214PPB5	2	70	125	61,9	39,69	71	43,5	2,16
GW214PPB6	1	68,28	125	68,26	28	71	43,5	2,16