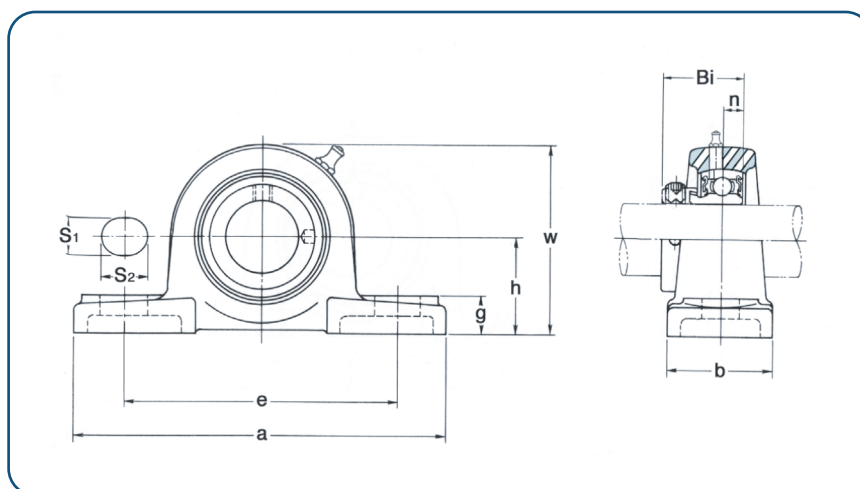


Mounted Units - Pillow Blocks



• SAAK200 Series

Pillow Block, Low Shaft Height
Narrow Inner Race, Eccentric Locking Collar



Designation	Shaft Dia.		Dimensions mm										Bolt Size	Bearing No.	Housing No.	Weight kg	
	In.	mm	h	a	e	b	S1	S2	g	w	Bi	n					
SAAK 204		20													SA 204		
204-12	3/4		31.8	133	98	41	12	16	14.3	64	31	7	3/8 M10	204-12	AK204	0,5	
SAAK 205		25												SA 205			
205-14	7/8		33.3	140	105	45	12	16	16	68	31	7.5	3/8 M10	205-14	AK205	0,7	
205-15	15/16													205-15			
205-16	1													205-16			
SAAK 206		30												SA 206			
206-17	1-1/16													206-17	AK206	1,2	
206-18	1-1/8		36.7	160	121	48	15	19	17	80	35.7	8	1/2 M14	206-18			
206-19	1-3/16													206-19			
206-20	1-1/4S													206-20			
SAAK 207		35												SA 207			
207-20	1-1/4													207-20	AK207	1,4	
207-21	1-5/16		46	167	127	48	15	19	19	92	38.9	8.5	1/2 M14	207-21			
207-22	1-3/8													207-22			
207-23	1-7/16													207-23			
SAAK 208		40												SA 208			
208-24	1-1/2		49.2	180	140	54	15	19	19	100	43.7	9	1/2 M14	208-24	AK208	1,9	
208-25	1-9/16													208-25			
SAAK 209		45												SA 209			
209-26	1-5/8													209-26	AK209	2,1	
209-27	1-11/16		52.4	189	146	54	15	19	21	106	43.7	9.5	1/2 M14	209-27			
209-28	1-3/4													209-28			
SAAK 210		50												SA 210			
210-30	1-7/8													210-30	AK210	2,3	
210-31	1-15/16		55.6	204	159	57	19	15	22	113	43.7	10	5/8 M16	210-31			
210-32	2S													210-32			