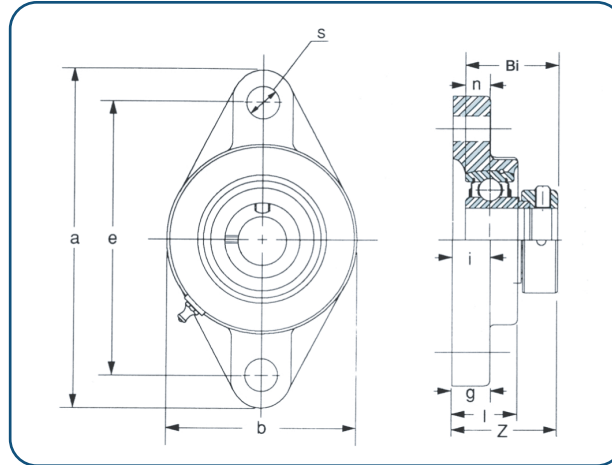


Mounted Units - 2-Bolt Flanges



• SAFL200 Series

2-Bolt Flange Narrow Inner Race, Eccentric Locking Collar



Designation	Shaft Dia.		Dimensions mm										Bolt Size	Bearing No.	Housing No.	Weight kg
	In.	mm	a	e	i	g	l	s	b	z	Bi	n				
SAFL 201-08 202-10	1/2 5/8		99	76.5	15	13	25.5	11.5	57	35.6	28.6	6.0	3/8 M10	SA 201-08 202-10	FL203	0.41
SAFL 204 204-12		20 3/4	113	90	15	12	25.5	12	60	39	31	7.0	3/8 M10	SA 204 204-12	FL204	0.43
SAFL 205 205-14 205-15 205-16		25 7/8 15/16 1	130	99	16	14	27	16	68	39.5	31	7.5	1/2 M14	SA 205 205-14 205-15 205-16	FL205	0.53
SAFL 206 206-17 206-18 206-19 206-20		30 1-1/16 1-1/8 1-3/16 1-1/4S	148	117	18	14	31	16	80	45.7	35.7	8.0	1/2 M14	SA 206 206-17 206-18 206-19 206-20	FL206	0.84
SAFL 207 207-20 207-21 207-22 207-23		35 1-1/4 1-5/16 1-3/8 1-7/16	161	130	19	16	34	16	90	49.4	38.9	8.5	1/2 M14	SA 207 207-20 207-21 207-22 207-23	FL207	1.26
SAFL 208 208-24 208-25		40 1-1/2 1-9/16	175	144	21	16	36	16	100	55.7	43.7	9.0	1/2 M14	SA 208 208-24 208-25	FL208	1.58
SAFL 209 209-26 209-27 209-28		45 1-5/8 1-11/16 1-3/4	188	148	22	18	38	19	108	56.2	43.7	9.5	5/8 M16	SA 209 209-26 209-27 209-28	FL209	2
SAFL 210 210-30 210-31 210-32		50 1-7/8 1-15/16 2S	197	157	22	18	40	19	115	55.7	43.7	10.0	5/8 M16	SA 210 210-30 210-31 210-32	FL210	2.25
SAFL 211 211-32 211-35		55 2 2-3/16	224	184	25	20	43	19	130	61.4	48.4	12	5/8 M16	SA 211 211-32 211-35	FL211	