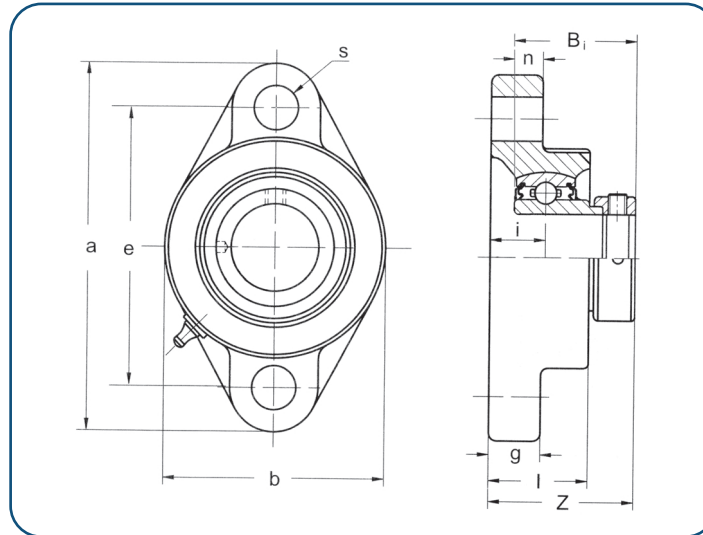


Mounted Units - 2-Bolt Flanges



• SAFLU200 Series

2-Bolt Flange Narrow Inner Race, Eccentric Locking Collar



Designation	Shaft Dia.		Dimensions mm										Bolt Size	Bearing No.	Housing No.	Weight kg
	In.	mm	a	e	i	g	l	s	b	z	Bi	n				
SAFLU 201-08 202-10	1/2 5/8		99	76.5	15	11	25.5	11.5	57	37.6	28.6	6.0	5/16 M8	SA 201-08 202-10	FLU203	0.38
SAFLU 204 204-12		20	112.5	90	19	15	29.5	11.5	61	43	31	7.0	5/16 M8	SA 204 204-12	FLU204	0.43
SAFLU 205 205-14 205-15 205-16		25												SA 205 205-14 205-15 205-16	FLU205	0.53
SAFLU 206 206-17 206-18 206-19 206-20		30												SA 206 206-17 206-18 206-19 206-20	FLU206	0.84
SAFLU 207 207-20 207-21 207-22 207-23		35												SA 207 207-20 207-21 207-22 207-23	FLU207	1.26
SAFLU 208 208-24 208-25		40												SA 208 208-24 208-25	FLU208	1.58
SAFLU 209 209-26 209-27 209-28		45												SA 209 209-26 209-27 209-28	FLU209	2.0
SAFLU 210 210-30 210-31 210-32		50												SA 210 210-30 210-31 210-32	FLU210	2.25
SAFLU 211 211-32 211-35		55												SA 211 211-32 211-35	FLU211	2.9