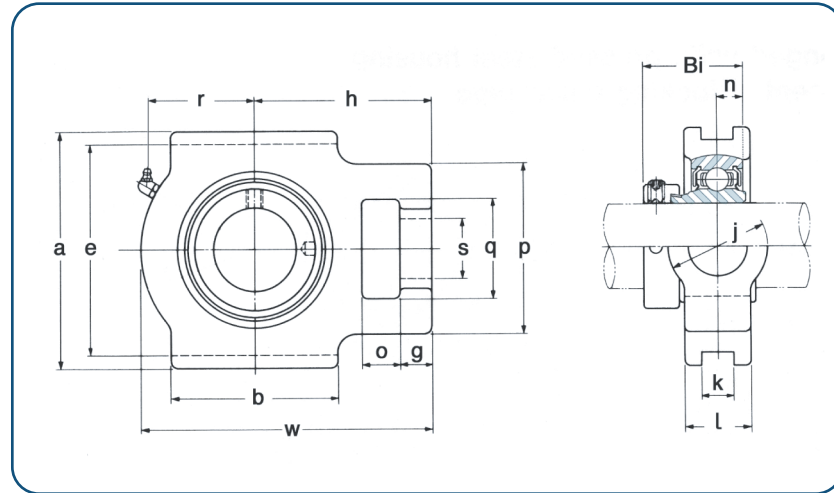


Mounted Units - Take-up Units



• SAST200 Series

Take-up, Wide Slot
Narrow Inner Race, Eccentric Locking Collar



Designation	Shaft Dia.		Dimensions mm															Bearing No.	Housing No.	Weight kg	
	In.	mm	o	g	p	q	s	b	k	e	a	w	l	j	r	h	Bi				n
SAST 204		20																	SA 204		
204-12	3/4		16	10	51	32	19	51	13.5	76.2	89	94	24	32	33	61	31	7	204-12	ST204	0,77
SAST 205		25																	SA 205		
205-14	7/8		16	10	51	32	19	51	13.5	76.2	89	97	24	32	35	62	31	7.5	205-14	ST205	0,86
205-15	15/16																		205-15		
205-16	1																		205-16		
SAST 206		30																	SA 206		
206-17	1-1/16																		206-17	ST206	1,32
206-18	1-1/8		16	10	56	37	22	57	13.5	89	102	113	24	37	43	70	35.7	8	206-18		
206-19	1-3/8																		206-19		
206-20	1-1/4S																		206-20		
SAST 207		35																	SA 207		
207-20	1-1/4		16	13	64	37	22	64	13.5	89	102	129	30	37	51	78	38.9	8.5	207-20	ST207	1,59
207-21	1-5/16																		207-21		
207-22	1-3/8																		207-22		
207-23	1-7/16																		207-23		
SAST 208		40																	SA 208		
208-24	1-1/2		19	16	83	49	29	83	17.5	102	114	144	35	49	56	88	43.7	9	208-24	ST208	2,30
208-25	1-9/16																		208-25		
SAST 209		45																	SA 209		
209-26	1-5/8		19	16	83	49	29	83	17.5	102	117	145	35	49	57	88	43.7	9.5	209-26	ST209	2,50
209-27	1-11/16																		209-27		
209-28	1-3/4																		209-28		
SAST 210		50																	SA 210		
210-30	1-7/8		19	16	83	49	29	86	17.5	102	117	151	35	49	59	92	43.7	10	210-30	ST210	2,60
210-31	1-15/16																		210-31		
210-32	2S																		210-32		