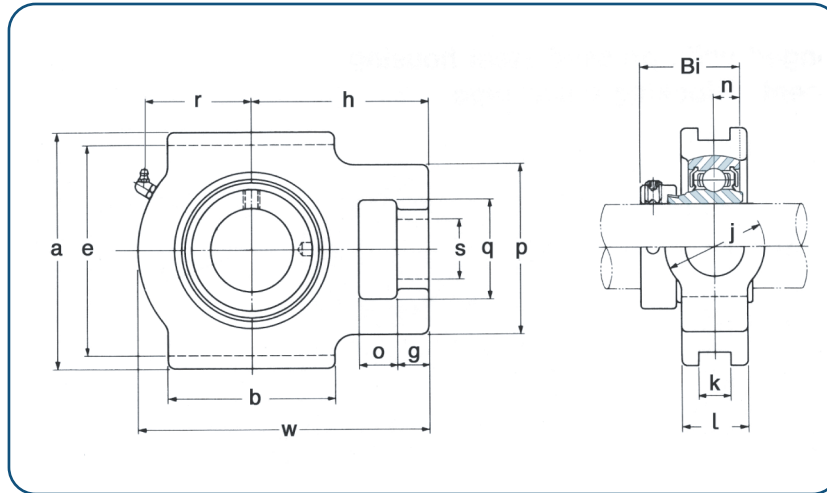


Mounted Units - Take-up Units



• SAT200 Series

Take-up, Narrow Slot Narrow Inner Race, Eccentric Locking Collar



Designation	Shaft Dia.		Dimensions mm															Bearing No.	Housing No.	Weight kg	
	In.	mm	o	g	p	q	s	b	k	e	a	w	l	j	r	h	Bi				n
SAT 204 204-12	3/4	20	16	10	51	32	19	51	12	76.2	89	94	21	32	33	61	31	7	SA 204 204-12	T 204	0,77
SAT 205 205-14 205-15 205-16	7/8 15/16 1	25	16	10	51	32	19	51	12	76.2	89	97	24	32	35	62	31	7.5	SA 205 205-14 205-15 205-16	T 205	0,86
SAT 206 206-17 206-18 206-19 206-20	1-1/16 1-1/8 1-3/8 1-1/4S	30	16	10	56	37	22	57	12	89	102	113	28	37	43	70	35.7	8	SA 206 206-17 206-18 206-19 206-20	T 206	1,32
SAT 207 207-20 207-21 207-22 207-23	1-1/4 1-5/16 1-3/8 1-7/16	35	16	13	64	37	22	64	12	89	102	129	30	37	51	78	38.9	8.5	SA 207 207-20 207-21 207-22 207-23	T 207	1,59
SAT 208 208-24 208-25	1-1/2 1-9/16	40	19	16	83	49	29	83	16	102	114	144	33	49	56	88	43.7	9	SA 208 208-24 208-25	T 208	2,30
SAT 209 209-26 209-27 209-28	1-5/8 1-11/16 1-3/4	45	19	16	83	49	29	83	16	102	117	145	35	49	57	88	43.7	9.5	SA 209 209-26 209-27 209-28	T 209	2,50
SAT 210 210-30 210-31 210-32	1-7/8 1-15/16 2S	50	19	16	83	49	29	86	16	102	117	151	37	49	59	92	43.7	10	SA 210 210-30 210-31 210-32	T 210	2,60