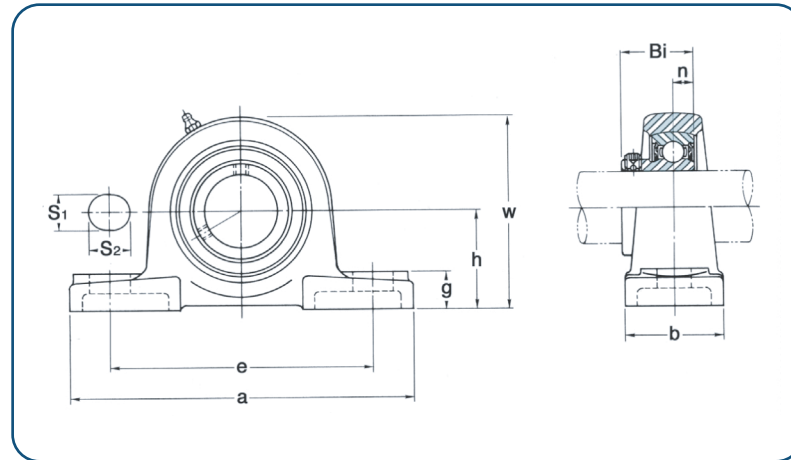


Mounted Units - Pillow Blocks



• SBAK200 Series

Pillow Block, Low Shaft Height
Narrow Inner Race, Set Screw Locking



Designation	Shaft Dia.		Dimensions mm										Bolt Size	Bearing No.	Housing No.	Weight kg	
	In.	mm	h	a	e	b	S1	S2	g	w	Bi	n					
SBAK 201-08	1/2														SB 201-08		
202-10	5/8		27	121	89	35	12	16	13	54	22	4	M10 3/8	202-10	AK203	0.38	
SBAK 204		20												SB 204			
204-12	3/4		31.8	133	98	41	12	16	14.3	64	25	5	M10 3/8	204-12	AK204	0.41	
SBAK 205		25												SB 205			
205-14	7/8													205-14			
205-15	15/16		33.3	140	105	45	12	16	16	68	27	5.5	M10 3/8	205-15	AK205	0.62	
205-16	1													205-16			
SBAK 206		30												SB 206			
206-17	1-1/16													206-17			
206-18	1-1/8		39.7	160	121	48	15	19	17	80	30	6	M14 1/2	206-18	AK206	0.98	
206-19	1-3/16													206-19			
206-20	1-1/4S													206-20			
SBAK 207		35												SB 207			
207-20	1-1/4													207-20			
207-21	1-5/16		46	167	127	48	15	19	19	92	32	6	M14 1/2	207-21	AK207	1.2	
207-22	1-3/8													207-22			
207-23	1-7/16													207-23			
SBAK 208		40												SB 208			
208-24	1-1/2		49.2	181	140	54	15	19	19	100	34	6	M14 1/2	208-24	AK208	1.7	
208-25	1-9/16													208-25			