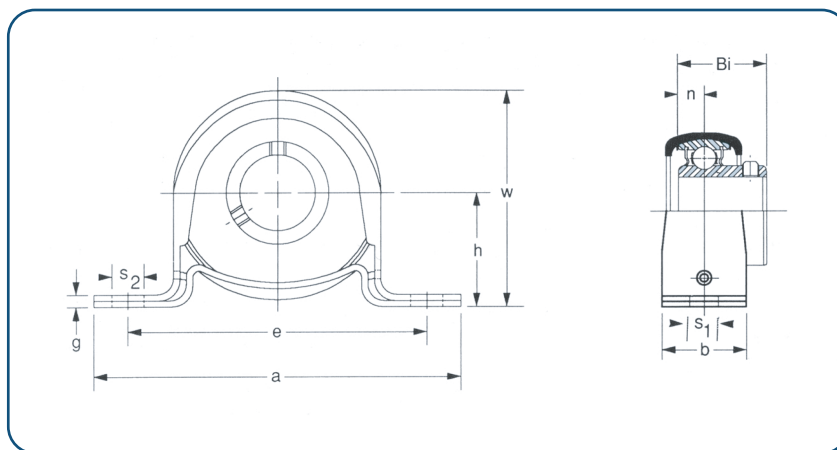


Mounted Units - Pressed Steel units



• SBPP200 Series

Pressed Steel Pillow Block Narrow Inner Race, Set Screw Locking



Designation	Shaft Dia.		Dimensions mm										Bolt Size	Bearing No.	Housing No.	Weight kg	
	in.	mm	h	a	e	b	S1	S2	w	g	Bi	n					
SBPP 201-08	1/2														SB 201-8		
202-10	5/8		22.2	86	68	25	9	13	44	3.2	22	6.0	5/16 M8	202-10	PP203	0.17	
SBPP 204		20												SB 204			
204-12	3/4		25.4	98	76	32	10	13	50	3.2	25	7.0	5/16 M8	204-12	PP204	0.22	
SBPP 205		25												SB 205			
205-14	7/8		28.6	108	86	32	10	14	56	4	27	7.5	3/8 M10	205-14	PP205	0.31	
205-15	15/16													205-15			
205-16	1													205-16			
SBPP 206		30												SB 206			
206-17	1-1/16		33.3	117	95	38	10	14	66	4	30	8.0	3/8 M10	206-17	PP206	0.47	
206-18	1-1/8													206-18			
206-19	1-3/16													206-19			
206-20	1-1/4S													206-20			
SBPP 207		35												SB 207			
207-20	1-1/4		39.7	129	106	42	13	19	78	4.6	32	8.5	3/8 M10	207-20	PP207	0.73	
207-21	1-5/16													207-21			
207-22	1-3/8													207-22			
207-23	1-7/16													207-23			