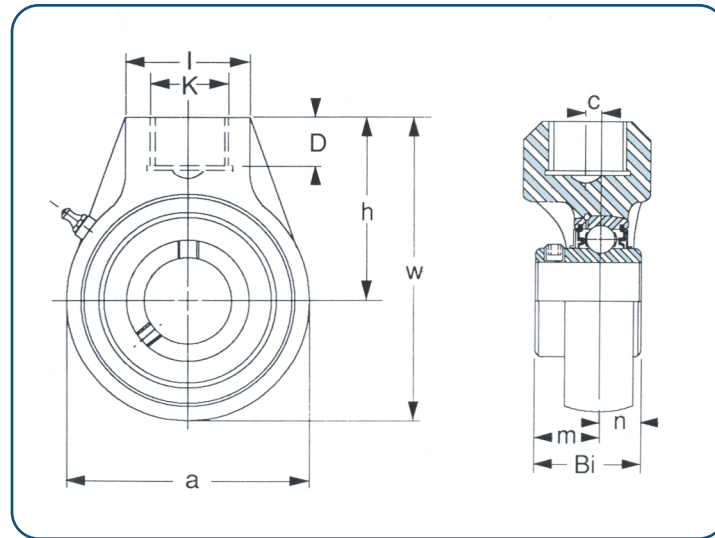


Mounted Units - Hanger Units



• UCHA200 Series

Hanger Wide Inner Race, Set Screw Locking



Designation	Shaft Dia.		Dimensions mm										Bearing No.	Housing No.	Weight kg	
	In.	mm	a	w	c	h	l	D	K1	Bi	n	m				
UCHA 201-08	1/2													UC 201-08		
202-10	5/8													202-10		
204		20	64.3	96	0	63.9	39.7	19.1	NPSM-3/4	31.0	12.7	18.3	204	HA204	0.7	
204-12	3/4												204-12			
UCHA 205		25												UC 205		
205-14	7/8												205-14			
205-15	15/16		77.8	103.2	0	63.9	39.7	19.1	NPSM-3/4	34.0	14.3	19.7	205-15	HA205	1.0	
205-16	1												205-16			
UCHA 206		30												UC 206		
206-17	1-1/16												206-17			
206-18	1-1/8		77.8	103.2	0	63.9	39.7	19.1	NPSM-3/4	38.1	15.9	22.2	206-18	HA206	1.0	
206-19	1-3/16												206-19			
206-20	1-1/4S												206-20			
UCHA 207		35												UC 207		
207-20	1-1/4												207-20			
207-21	1-5/16		92.1	115.9	0	69.9	39.7	19.1	NPSM-3/4	42.9	17.5	25.4	207-21	HA207	1.4	
207-22	1-3/8												207-22			
207-23	1-7/16												207-23			
UCHA 208		40												UC 208		
208-24	1-1/2		96.0	120.7	2.0	73.0	39.7	19.1	NPSM-3/4	49.2	19.0	30.2	208-24	HA208	1.5	
208-25	1-9/16												208-25			
UCHA 209		45												UC 209		
209-26	1-5/8												209-26			
209-27	1-11/16		108.0	135.7	5.2	82.2	47.6	20.6	NPSM-1	49.2	19.0	30.2	209-27	HA209	2.1	
209-28	1-3/4												209-28			
UCHA 210		50												UC 210		
210-30	1-7/8												210-30			
210-31	1-15/16		118.3	142.1	5.2	82.9	47.6	20.6	NPSM-1-1/4	51.6	19.0	32.6	210-31	HA210	2.6	
210-32	2S												210-32			