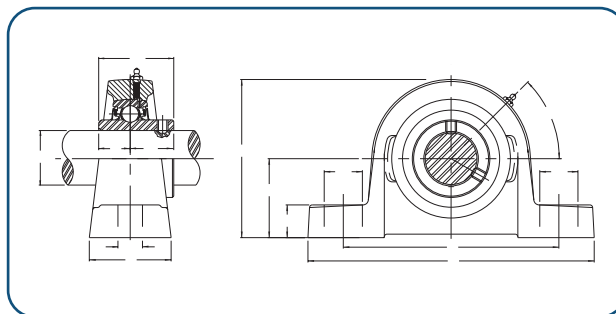


# Mounted Units - Pillow Blocks



## • UCP200 Series

### Pillow Block, Wide Inner Race, Set Screw Locking



Designation	Shaft Dia.		Dimensions mm										Bolt Size	Bearing No.	Housing No.	Weight kg
	In.	mm	h	a	e	b	S1	S2	g	w	Bi	n				
UCWP 201-08 202-10	1/2 5/8		30,2	124	95	31	11	15	14	62	26	10	5/16 M8	UCW 201-08 202-10	P203	0,5
UCP 201-08 202-10 204	1/2 5/8	20	33,3	127	95	38	13	19	14	65	31	12.7	3/8 M10	UC 201-08 202-10 204	P204	0,65
UCP 204-12 205	3/4	25												UC 204-12 205		
UCP 205-14 205-15 205-16	7/8 15/16		36,6	140	105	38	13	19	15	71	34	14.3	3/8 M10	UC 205-14 205-15 205-16	P205	.8
UCP 206-17 206-18 206-19 206-20	1-1/16 1-1/8 1-3/16 1-1/4S	30	42,9	165	121	48	17	21	17	83	38.1	15.9	1/2 M14	UC 206 206-17 206-18 206-19 206-20	P206	1.4
UCP 207-20 207-21 207-22 207-23	1-1/4 1-5/16 1-3/8 1-7/16	35	47,6	167	127	48	17	21	18	93	42.9	17.5	1/2 M14	UC 207 207-20 207-21 207-22 207-23	P207	2
UCP 208-24 208-25	1-1/2 1-9/16	40	49,2	184	137	54	17	21	18	98	49.2	19.0	1/2 M14	UC 208 208-24 208-25	P208	2.4
UCP 209-26 209-27 209-28	1-5/8 1-11/16 1-3/4	45	54,0	190	146	54	17	21	20	106	49.2	19.0	1/2 M14	UC 209 209-26 209-27 209-28	P209	2.75
UCP 210-30 210-31 210-32	1-7/8 1-15/16 2S	50	57,2	206	159	60	20	25	21	114	51.6	19.0	5/8 M16	UC 210 210-30 210-31 210-32	P210	3.3
UCP 211-32 211-34 211-35	2 2-1/8 2-3/16	55	63,5	219	171	60	20	25	23	126	55.6	22.2	5/8 M16	UC 211 211-32 211-34 211-35	P211	4
UCP 212-36 212-38 212-39	2-1/4 2-3/8 2-7/16	60	69,8	241	184	70	20	25	25	138	65.1	25.4	5/8 M16	UC 212 212-36 212-38 212-39	P212	5.8
UCP 213-40	2-1/2	65	76,2	265	203	70	25	29	27	151	65.1	25.4	3/4 M20	UC 213 213-40	P213	6.7
UCP 214-43 214-44	2-11/16 2-3/4	70	79,4	266	210	72	25	31	27	157	74.6	30.2	3/4 M20	UC 214 214-43 214-44	P214	7.3
UCP 215-47 215-48	2-15/16 3	75	82,6	275	217	74	25	31	28	163	77.8	33.3	3/4 M20	UC 215 215-47 215-48	P215	8.1