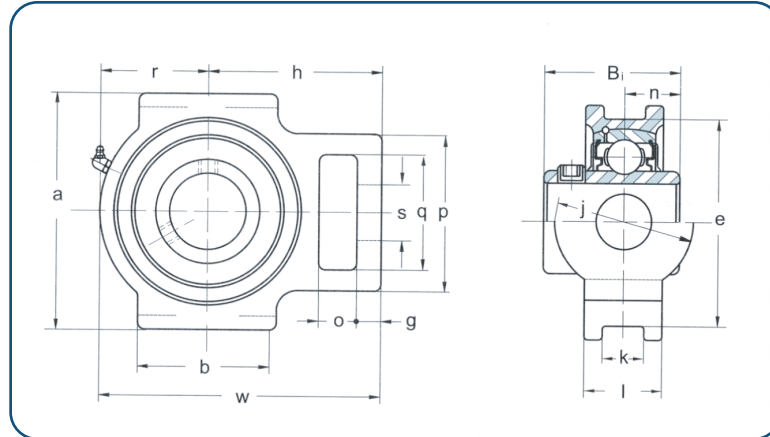


Mounted Units - Take-up Units



• UCST200 Series

Take-up, Wide Slot
Wide Inner Race, Set Screw Locking



Designation	Shaft Dia.		Dimensions mm														Bearing No.	Housing No.	Weight kg		
	in.	mm	o	g	p	q	s	b	k	e	a	w	l	j	r	h				Bi	n
UCST 201-08	1/2																		UC 201-08		
202-10	5/8																		202-10		
204		20	16	10	51	32	19	51	13.5	76.2	89	94	24	32	33	60	31	12.7	204	ST 204	0.77
204-12	3/4																		204-12		
UCST 205		25																	UC 205		
205-14	7/8																		205-14		
205-15	15/16		16	10	51	32	22	51	13.5	76.2	89	97	24	32	35	62	34	14.3	205-15	ST 205	0.86
205-16	1																		205-16		
UCST 206		30																	UC 206		
206-17	1-1/16																		206-17		
206-18	1-1/8		16	10	56	37	22	57	13.5	89	102	113	24	37	43	70	38.1	15.9	206-18	ST 206	1.32
206-19	1-3/8																		206-19		
206-20	1-1/4S																		206-20		
UCST 207		35																	UC 207		
207-20	1-1/4																		207-20		
207-21	1-5/16		16	13	64	37	22	64	13.5	89	102	129	30	37	51	78	42.9	17.5	207-21	ST 207	1.59
207-22	1-3/8																		207-22		
207-23	1-7/16																		207-23		
UCST 208		40																	UC 208		
208-24	1-1/2		19	16	83	49	29	83	17.5	102	114	144	35	49	56	89	49.2	.748	208-24	ST 208	2.3
208-25	1-9/16																	19	208-25		
UCST 209		45																	UC 209		
209-26	1-5/8																		209-26		
209-27	1-11/16		19	16	83	49	29	83	17.5	102	117	145	35	49	57	87	49.2	19	209-27	ST 209	2.5
209-28	1-3/4																		209-28		
UCST 210		50																	UC 210		
210-30	1-7/8																		210-30		
210-31	1-15/16		19	16	83	49	29	86	17.5	102	117	151	35	49	59	90	51.6	19	210-31	ST 210	2.6
210-32	2S																		210-32		
UCST 211		55																	UC 211		
211-32	2																		211-32		
211-34	2-1/8		25	19	102	64	35	95	27	130	146	171	41	64	65	106	55.6	22.2	211-34	ST 211	4.1
211-35	2-3/16																		211-35		
UCST 212		60																	UC 212		
212-36	2-1/4																		212-36		
212-38	2-3/8		32	19	102	64	35	102	27	130	146	194	46	64	75	119	65.1	25.4	212-38	ST 212	4.8
212-39	2-7/16																		212-39		
UCST 213		65																	UC 213		
213-40	2-1/2		32	21	111	70	41	121	27	151	167	224	51	70	87	137	65.1	25.4	213-40	ST 213	6.8
UCST 214		70																	UC 214		
214-43	2-11/16		32	21	111	70	41	121	27	151	167	224	46	70	87	137	74.6	30.2	214-43	ST 214	7
214-44	2-3/4																		214-44		
UCST 215		75																	UC 215		
215-47	2-15/16		32	21	111	70	41	121	27	151	167	232	48	70	92	140	77.8	33.3	215-47	ST 215	7.8
215-48	3																		215-48		